

DATA RECEPTACLES

OVERVIEW

Custom data receptacles that ship from stock.

Specify wall receptacle stations in nearly any configuration: Single receptacle inserts are available in three, four, or five-pin XLR connectors, in both male or female, and female RJ45 etherCON. Dual receptacle inserts are available in many popular configurations.

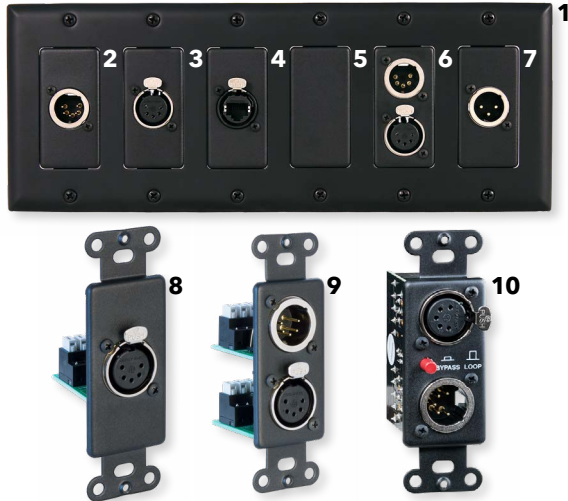
With pre-installed, locking front connectors and solderless compression-screw or insulation displacement contact (IDC) rear connectors, all inserts are ready for installation out of the box.

Available in attractive matte black, stainless steel and white finishes. Color-matched 1 to 6-gang faceplates (PWFP [xxxx]) are available separately. All inserts are ordered individually.

Please note that we cannot provide engraving services.

FEATURES

- Receptacle inserts feature pre-installed, rugged, locking-style connectors
- Easy, modular assembly using standard backboxes
- Two-part pluggable connectors with rear compression screw, insulation displacement contact (IDC), or punch-down (RJ45 only) connectors means no soldering
- Field configurable
- Finishes available in matte black, stainless steel or white
- Connectors available optionally without insert plate (PWCON)



- Models shown:
1. PWFP G6 BL
 2. PWINS XLR5M [CSC5/IDC5] BL
 3. PWINS XLR5F [CSC5/IDC5] BL
 4. PWINS RJ45EC [PD/RJ45R] BL
 5. PWINS BLANK NONE BL
 6. PWINS XLR5M 2XLR5F [CSC5/IDC5] [2CSC5/2IDC5] BL
 7. PWINS XLR3M [CSC5/IDC5] BL
 8. PWINS XLR5F IDC5 BL
 9. PWINS XLR5M 2XLR5F IDC5 2IDC5 BL
 10. PWINS XLR5M 2XLR5F PASS CSC5 2CSC5 BL



WARRANTY

3-year limited warranty. Complete warranty terms located at: <https://www.acuitybrands.com/support/warranty>

NOTE

Actual performance may differ as a result of end-user environment and application. Specifications subject to change without notice.

ORDERING INFORMATION

Notes

1. XLR 3-Pin, 4-Pin and 5-Pin Front Connectors must be paired with either CSC5 or IDC5 Rear Connectors.
2. RJ45 etherCON Front Connectors must be paired with either PD or RJ45R Rear Connectors
3. If ordering a Blank Plate, Rear Connector Type 1 must be NONE. Omit Connector 2 Type and Rear Connector 2 Type Columns.
4. If ordering a single-connector insert (no 2nd connector desired), omit Connector 2 Type and Rear Connector 2 Type Columns.
5. PASS Pass-Thru Insert is a unique part and available only as XLR5M 2XLR5F Front Connectors, and in BL Finish.

PWINS		EXAMPLE (1 Connector): PWINS RJ45EC PD SS EXAMPLE (2 Connectors): PWINS XLR5F 2RJ45EC IDC5 2IDC5 BL											
Series		Connector 1 Type		Connector 2 Type		Pass Thru	Rear Connector 1 Type		Rear Connector 2 Type		Finish		
PWINS	Pathway Data Receptacle Inserts	XLR5F ¹	XLR 5-Pin Female	[EMPTY] ⁴	No 2 nd Connector	[EMPTY]	No Pass Thru	CSC5	5-Pin Compression-screw Connector	[EMPTY] ⁴	No 2 nd Rear Connector	BL	Matte Black
		XLR5M ¹	XLR 5-Pin Male	2XLR5F ¹	XLR 5-Pin Female	PASS ⁵	Pass Thru enabled	IDC5	5-Pin Insulation Displacement Contact Connector	2CSC5	5-Pin Compression-screw Connector	SS	Stainless Steel
		XLR3F ¹	XLR 3-Pin Female	2XLR5M ¹	XLR 5-Pin Male			PD	RJ45 Punch Down	2IDC5	5-Pin Insulation Displacement Contact Connector	WH	White
		XLR3M ¹	XLR 3-Pin Male	2XLR3F ¹	XLR 3-Pin Female			RJ45R	RJ45 Female (Rear)	2PD	RJ45 Punch Down		
		XLR4F ¹	XLR 4-Pin Female	2XLR3M ¹	XLR 3-Pin Male			NONE	No Rear Connector; Blank Plate	2RJ45R	RJ45 Female (Rear)		
		XLR4M ¹	XLR 4-Pin Male	2RJ45EC ²	RJ45 etherCON								
		RJ45EC ²	RJ45 etherCON										
BLANK ³	No connector; Blank Plate												

SPECIFICATIONS

Mechanical

- Dimensions** **PWINS BLANK NONE**
 1.3" W x 4" H x 0.2" D (33mm W x 113mm H x 43mm D)
- All other Inserts**
 1.3" W x 4" H x 1.7" D (33mm W x 113mm H x 5mm D)
- Weight**
- | | |
|---------------------------------------|---------------|
| Single-Connector Configuration | 1.2 oz (35 g) |
| Dual-Connector Configuration | 1.9 oz (55 g) |
| PWINS BLANK NONE | 0.5 oz (15 g) |

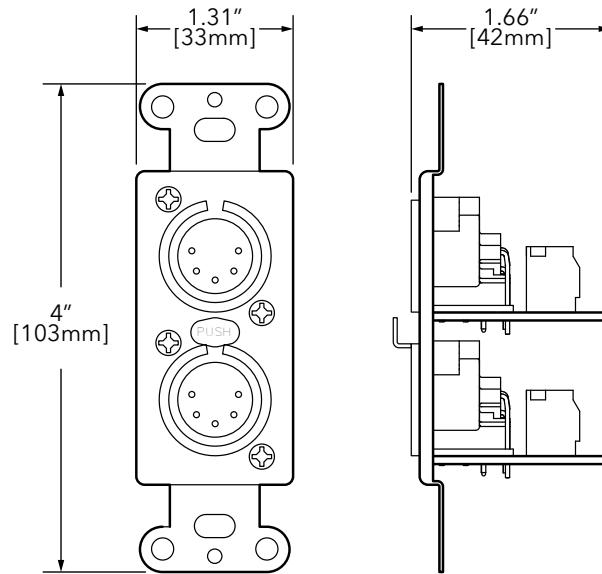
Government Procurement

- BAA** Buy America(n) Act: Product qualifies as a domestic end product under the Buy American Act as implemented in the FAR and DFARS. Product also qualifies as manufactured in the United States under DOT Buy America regulations.
- BABA** Build America Buy America: Product qualifies as produced in the United States under the definitions of the Build America, Buy America Act.
- Please refer to www.acuitybrands.com/buy-american for additional information.

WIRING

DMX512 / RDM PINOUT		
Purpose	XLR / Terminal Block Pin #	RJ45 PIN # and Wire Color
Shield / Common	1	7 - White / Brown
Data - (complement)	2	2 - Orange
Data + (true)	3	1 - White / Orange
Not Used	4	6 - Green
Not Used	5	3 - White / Green
Not Used - Do Not Connect	N/A	4 - Blue
Not Used - Do Not Connect	N/A	5 - White / Blue
Not Used - Do Not Connect	N/A	8 - Brown

DIMENSIONS



PWINS XLR5M 2XLR5F CSC5 2CSC5 [BL/SS/WH]
Shown.

Appearance will differ depending on
configuration.